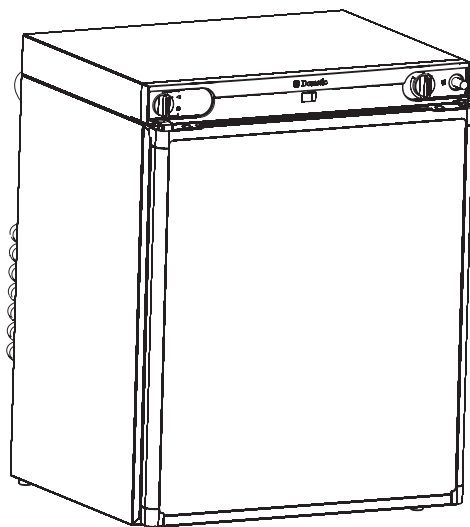




**Type: A30-100C**

**Model: RF60**



**Operating instructions**

GB

207.5912.05

CE 0402

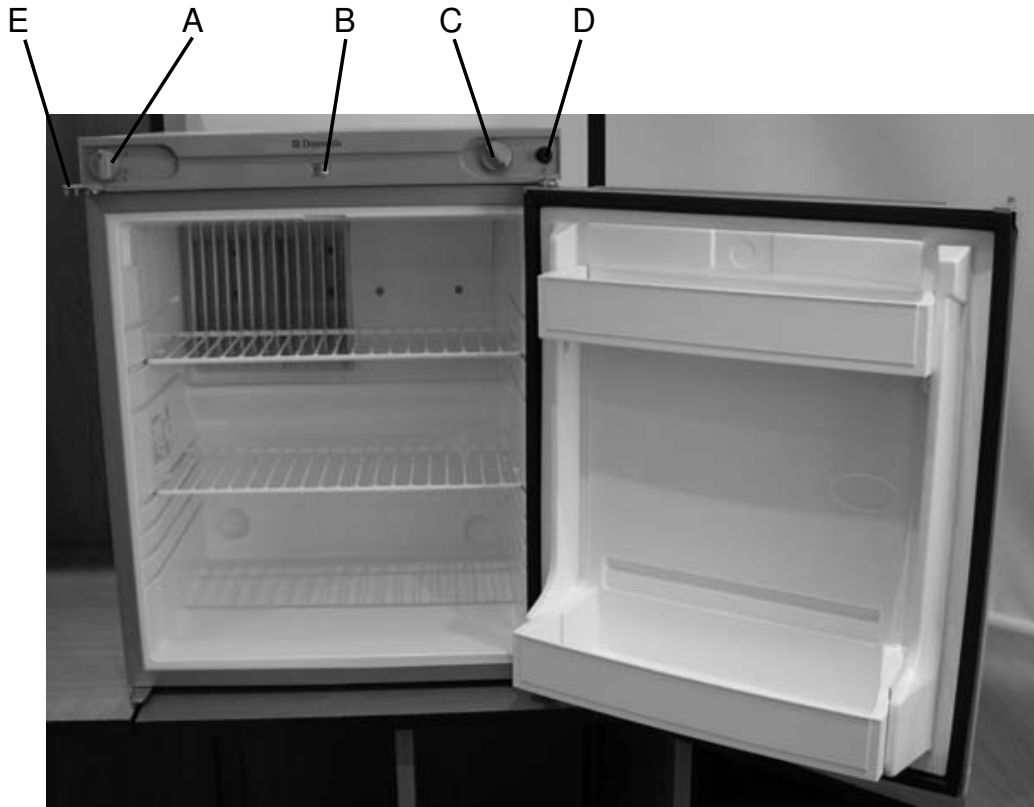


Figure 1

- |                                   |                           |
|-----------------------------------|---------------------------|
| A. Energy selector switch         | D. Manual ignition button |
| B. Flame indicator (galvanometer) | E. Door lock              |
| C. Thermostat (Gas/electric)      |                           |

**Note:**

The refrigerator is equipped to operate **mains power, DC or liquid gas**. The desired power option is selected by means of energy selector switch (**A**). Energy selector switch (**A**) has four settings: **AC** mains power, **DC** (12V), **Gas** (liquid gas), **O** (Off).

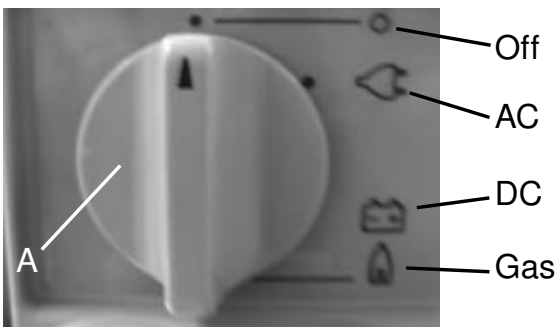


Figure 2

***Dear customer,  
please read the instruction book and all additional information  
before using the appliance. It is most important that they should be  
retained with the appliance for future reference!***

## **1. Warnings and directions**

These warnings are provided in the interest of safety. You must read them carefully before installing or using the appliance!

- This appliance is not intended for use by persons (including children) with reduced physical, sensory or mental capabilities, or lack of experience and knowledge, unless they have been given supervision or instruction concerning use of the appliance by a person responsible for their safety. Children should be supervised to ensure that they do not play with the appliance.
- If you smell gas:
  - Close the locking tap of the gas supply and the valve on the cylinder.
  - Open the windows and leave the room.
  - Do not switch on anything electrical.
  - Extinguish naked flames.
- Any electrical work required to install this appliance should be carried out by a qualified electrician.
- It is dangerous to alter the specifications or modify this product in any way.
- The absorption refrigerator is designed to be used specifically for the storage of edible foodstuffs and drinks only.
- There are working parts in this product which heat up. Always ensure that there is adequate ventilation as a failure to do this will result in component failure and possible food loss (refer to relevant instructions for unit installation under point 4.).
- Before defrosting, cleaning or maintenance work is carried out, be sure to switch off the appliance and unplug it. Shut down gas operation!
- Manufacturers' food storage recommendations should be strictly adhered to. Refer to relevant instructions for food and drink storage under point 13.
- Under no circumstances should you attempt to repair the appliance yourself. Repairs carried out by inexperienced persons may cause injury or more serious malfunctioning. This product should be serviced by an authorised Service Engineer, and only genuine spare parts should be used.
- Never open the cooling unit; it is under high pressure.

## **2. Area of use**

The unit may not be installed in motor vehicles and boats when using the gas operation method!

**Operation using liquid gas is permitted only in well ventilated rooms** - which have a capacity (length x width x height) of at least 20m<sup>3</sup> and have a window (which can be opened) or a door to the outside - **or out of doors**.

Outdoor use includes tents (awnings) which are well ventilated throughout unit operation and flat garden terraces.

There are no restrictions on electrical operation.

Site of operation must be protected from rain and other water sources.

### **3. Storage of gas cylinders**

Liquid gas cylinders should never be stored in unventilated areas or below ground (funnel-shaped holes). Avoid direct sunlight. The gas cylinder should not be exposed to temperatures in excess of 50°C.

### **4. Installation**

To be installed horizontally on a smooth, firm or any other appropriate surface. If necessary, adjust/align using a spirit level or a water-filled vessel.

There should be a distance of at least 10cm between the back of the unit and any other object (wall).

Avoid placing unit in direct sunlight and next to other sources of heat.

Ventilating ducts of the refrigerator should be kept clear of all obstructions to ensure a good air circulation.

This will result in a good, energy-saving cooling system.

### **5. Cleaning**

Before initial use and after defrosting or before prolonged periods of disuse, clean the unit containers and door with luke-warm water and, if necessary, washing-up liquid. Warning: do not inadvertently press or force the opened door past its stop-point (this could cause the hinges to break). Never use scouring or corrosive agents to clean the unit. Wipe cleaned surfaces dry with a soft cloth.

### **6. AC operation**

Check that the supply voltage and line voltage data correspond to the type-plate in the unit.

(The following instructions refer in the main to coolers manufactured for the United Kingdom).

The mains lead of your refrigerator is fitted with a non-rewirable moulded-on 13 amp plug containing a 3 amp fuse. It is a regular earthed plug for connection to a regular earthed socket.

Due to the difference in the plugs used, an adapter will be necessary for other countries.

If the fuse requires replacing at any time, the fuse cover/carrier should be

removed using a small screwdriver to lever it out. The old fuse should be replaced by a 3 amp ASTA approved BS 1362 fuse and the fuse cover/carrier must be refitted before the plug is used again.

If the fuse cover/carrier is lost, a replacement can be obtained from the service shops. The fuse cover/carrier must be of the same colour as that of the coloured insert in the base of the plug. In no circumstances must the plug be used without a correct fuse cover/carrier fitted.

If the plug supplied on the mains lead is not suitable for the socket in your home, it should be cut off and disposed of safely, or destroyed, to avoid any possible shock hazard resulting from the plug being inserted into a 13 amp socket elsewhere in the house. A suitable replacement plug should then be fitted as given below.

### **General guide to fitting any plug**

Ensure the lengths of wire inside the plug are prepared correctly. Connections should be firmly made after all conductor strands are entered into the terminal posts. When preparing the cable ends take care not to damage the outer sheath, or the insulation surrounding the inner conductors. Tighten all screws. Replace the top cover of the plug and secure.

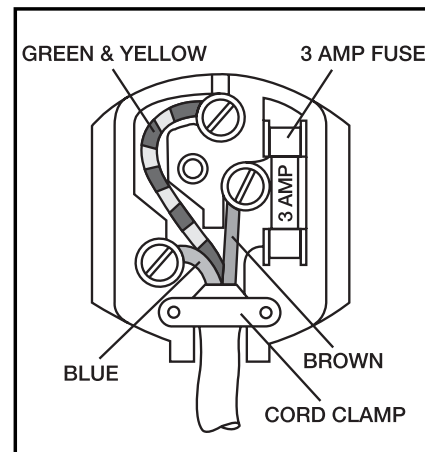
### **Other versions**

Your refrigerator has a 3-wire mains lead which is intended for connection to a 3-pin plug and a properly earthed socket outlet.

**IMPORTANT:** The wires in the mains lead of this appliance are coloured in accordance with the following code:

<b>GREEN-AND-YELLOW:</b>	<b>EARTH</b>
<b>BLUE:</b>	<b>NEUTRAL</b>
<b>BROWN:</b>	<b>LIVE</b>

As the colours of the wires in the mains lead may not correspond with the coloured markings identifying the terminals in your plug, proceed as follows: the wire which is coloured GREEN-AND-YELLOW must be connected to the terminal in the plug which is marked with the letter E or by the earth symbol  $\oplus$  or coloured green or green-and-yellow. The wire which is coloured BLUE must be connected to the terminal which is marked with the letter N or coloured black. The wire which is coloured BROWN must be connected to the terminal which is marked with the letter L or coloured red.



### **WARNING - THIS APPLIANCE MUST BE EARTHED!**

If a 13 amps (B.S. 1363) fused-plug is used, it should be fitted with a 3 amp fuse. In other cases, the circuit to which the refrigerator is connected should be fitted with a 5 amp fuse.

### To turn on (Fig. 3)

- Energy selector switch (**A**) should be in position “AC”.
- Turn electric/gas thermostat knob (**C**) clockwise to position MAX. Only after approximately 1 hour will the unit become noticeably cool (frost on evaporator).
- The temperature can be regulated using the electric/gas thermostat knob: '0'=off, the symbol shows increasing degrees of coolness.
- After sufficient cooling (approximately 5 hours), the thermostat position can be set to a lower temperature. (Middle position). The thermostat will now automatically regulate the set temperature.

**The devices fulfill the cooling performance requirements of the Climatic Class N acc. to EN/ISO 7371 in the temperature range of +16°C to 32°C ambient temperature.**

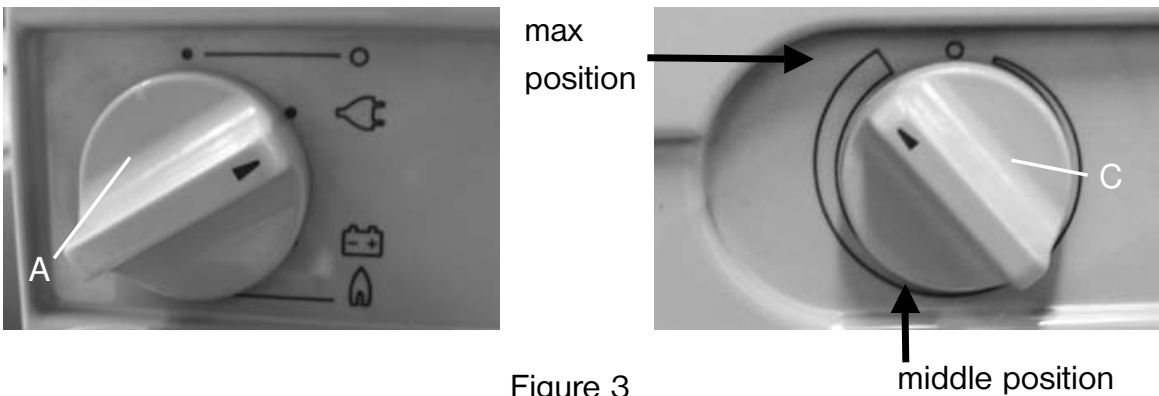


Figure 3

### To turn off (Fig. 3)

- Energy selector switch (**A**) should be in position '0'. (The appliance is now fully switched off.)
- Turn thermostat knob (**C**) anticlockwise to position '0'.

## 7. DC operation

12V DC voltage appliances are shipped with bare wire ends. The wire ends must be connected to a terminal block, which is connected to the vehicle battery via a 15A fuse. A safety fuse must be installed in the electricity supply between battery and refrigerator in a duct.

Cable cross section		max. cable lengths
		12 V
2.5 mm <sup>2</sup>	until	2.5 m
4.0 mm <sup>2</sup>	until	4.0 m
6.0 mm <sup>2</sup>	until	6.0 m

**It is necessary to consider the polarity when connecting the unit.**

Check that the battery voltage and line voltage data correspond to the type-plate on the inside of the unit.

If no batteries are used independently of the vehicle, the mobile cooler should not be operational when the vehicle is in motion, since the battery can discharge to the extent that the vehicle engine cannot restart when the vehicle is at a standstill.

**Recommendation:** before journey, pre-cool the unit using AC operation.

**To turn on** (Fig. 4)

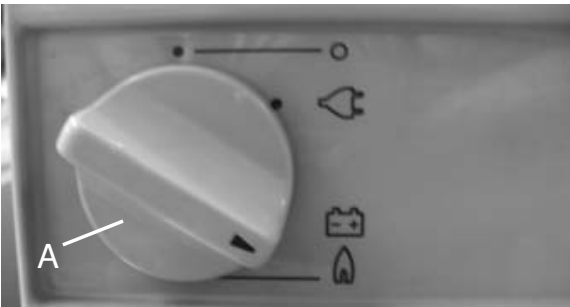


Figure 4

- Energy selector switch (**A**) should be in position “DC”.

When using battery operation, the cooling performance is not thermostatically regulated, i.e. knob (**C**) is ineffective.

When knob (**C**) is ineffective or if the temperature is unnecessarily too low:

**Turn off unit**

- Energy selector switch (**A**) should be in position '0'.

## 8. Liquid gas operation

The unit must not be connected to town or natural gas pipelines. It is only suitable for use with propane/butane gas (e.g. Calor Gas, Camping Gaz, Caravangas, etc).

The refrigerator is equipped for a specific gas-pressure, corresponding to the standard pressure of the country in which it is sold. The rating-plate states the pressure which is correct. It is important that a non adjustable pressure-regulator is used to reduce the pressure in the gas cylinder to the operating pressure specified on the rating-plate, no other pressure may be used.

**Needle valve operated gas control taps are NOT suitable for use with this appliance and must not be used as a substitute for a pressure regulator.**

## 9. Connection of gas supply

(The following instructions refer in the main to coolers manufactured for the United Kingdom. For other countries please refer to your supplier).

Always connect in the following sequence:

**GAS BOTTLE → PRESSURE-REGULATOR → APPLIANCE.**

To connect the appliance to the pressure-regulator an APPROVED FLEXIBLE GAS TUBE must be used. This must not be longer than 1,5 m - and should have an inside dimension of 8 mm. The flexible gas tube must not be twisted!

The pressure-regulator must be compatible for Butan (28mbar) or for Propane (37mbar).

To connect the pressure-regulator to the gas bottle, the valve of gas bottle must be closed. After connecting the pressure-regulator to the bottle by screwing, connect the two ends of the tubing to the nipples and secure them with the two hose clipse. When fitting the connection to the gas inlet of the appliance, hold counterpart to avoid straining and possibly damaging.

The gas bottle must only be used in an upright position and particular care must be taken every time the appliance is connected to the gas bottle to ensure that there are no leaks, that the gas pipe (rubber hose) is not under tension or kinked, and that it is not in contact with hot surfaces.

It must be regularly changed if it is determinated in the standard of your country. The connection pipe and gas bottle should always be located in positions where they will not be tripped over or otherwise inadvertently disturbed.

Before attempting to light the burner, every time after connection, turn on the gas at the bottle and check the gas connections for leaks by applying a soap and water solution over them and watching for bubbles, which would indicate a leak. After testing dry off traces of detergent.

**For your safety**

**Do not check for leaks with a naked flame!**

**Do not smoke while checking for leaks!**

## 10. Gas equipment (Fig. 1.)

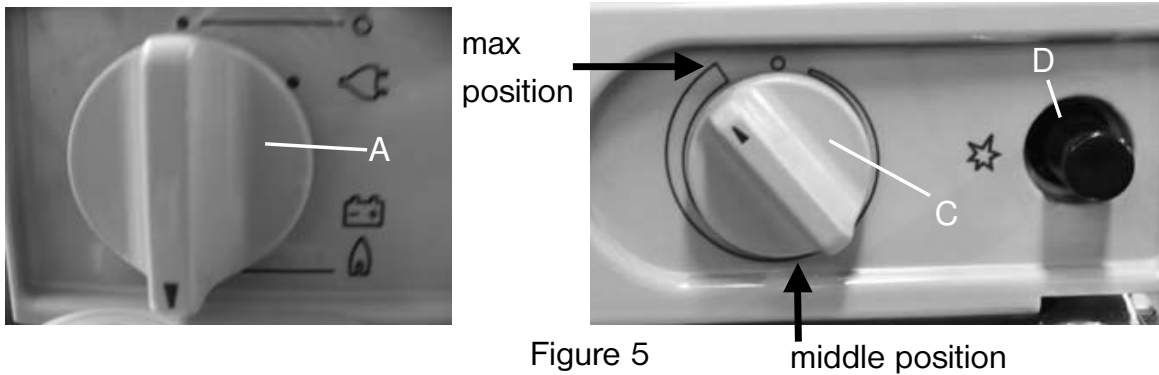
This consists of a gas/electric thermostat knob (C) with built-in safety pilot, a burner with igniter plug and a piezo-gas igniter (D), and a flame indicator (galvanometer)(B).

If, for any reason the gas flame extinguishes the ignition control is working automatically and shuts off gas supply.

## 11. Igniting the gas burner (Fig. 5.)

1. Energy selector switch (A) should be in position 'Gas'.
2. Open gas cylinder or pressure regulating valve.





3. Turn thermostat knob (C) to the MAX position, press and hold down.
4. After approximately 10 seconds press knob (D) several times. (This could take longer than 10 seconds if the unit has been out of operation for a prolonged period or after replacing the gas cylinder. Cause: air in the pipes.)
5. After ignition, hold down knob (C) for a further 20-30 seconds before releasing.

The flame can be controlled by flame indicator (B). The needle of the galvanometer passes over into the green section.

6. Should no ignition occur, repeat the ignition process after 1 minute.
7. After sufficient cooling (approximately 5 hours), the thermostat position can be set to a lower temperature. (Middle position) The thermostat will now automatically regulate the set temperature.

## 12. Shutting down gas operation (Fig. 2,6,7)

- Close gas cylinder or pressure regulating valve.
- Energy selector switch (A) should be in position '0'

## 13. Food and drink storage

- Foodstuffs and drinks should always be stored sealed in the unit. Thus, changes in taste and smell are avoided.
- Food and drink should be so placed in the cooler so as to allow air to circulate freely.
- **Do not place hot food or drinks in the cooler!**
- **Under no circumstances should inflammable liquids and/or gases be stored in the cooler. Explosion hazard!**

## 14. Defrosting and measures for prolonged periods of disuse

A build up of too much ice on the evaporator hinders cooling of the unit and thus reduces effectiveness. Therefore, it is recommended to defrost the mobile

cooler as soon as an approximately 5mm thick layer of ice has formed. This is done by turning off the unit and removing any food or drink therein. Never use heated appliances, heaters, etc. to speed up the defrosting process! If necessary, a cloth dipped in warm water can be placed on the unit to help the defrosting process. After defrosting, clean up the defrosted water with a clean cloth and clean the cooler containers as described in chapter 4.

Should the unit be out of operation for a prolonged period, turn off unit and remove contents. After defrosting, the cooler should be cleaned carefully and dried.

To avoid any unpleasant smells forming in the cooler, the lid should be left slightly open.

## 15. Door locking

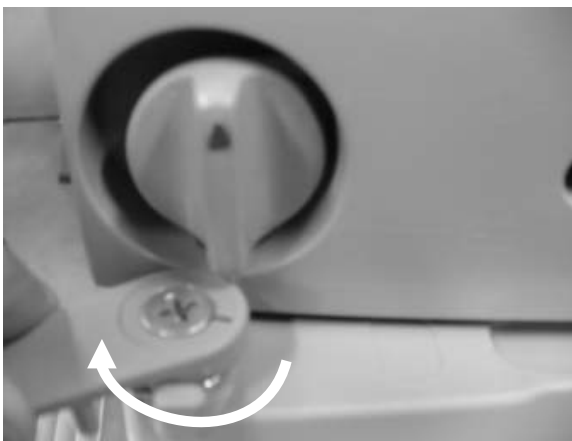
During transport, the door lock (E), so that the door is kept in a closed and safe position.



Closed



Park position/vent position



Open

## **16. Reversing the door hang**

The direction the door opens can be transferred from one side to the other by carrying out the following steps:

1. Disconnect at the mains
2. Remove the door lock (E).
3. Remove the hinge bolt from the upper door hinge by screwing it off, using a screwdriver.
4. Detach the door.
5. Lay the refrigerator down carefully on its back.
6. Remove the hinge bolt from the lower door hinge by screwing it off, using a wrench nr. 11.
7. Screw the removed lower hinge bolt into the opposite side lower door hinge.
8. Position the door on the opposite side hinge bolt.
9. Place the appliance on its feet and screw the removed upper hinge bolt into the opposite side upper door hinge.
10. Mount the door lock on the opposite side upper door hinge.

## **17. Measures after prolonged periods of disuse**

Should the refrigerator not function correctly after being switched on, place the unit upside down **WITHOUT ANY CONNECTING POWER SUPPLY**. After a few minutes return the refrigerator to its correct position and switch on again.

Should the unit still not function correctly, repeat the process several times.

## **18. Maintenance**

Changing the gas filter: the cellulose gas filter is situated at the back in the gas connection piece. When it becomes necessary to replace the gas filter, remove the filter from the duct and replace it with a new one. Any other maintenance and repair works, especially those relating to the cooling aggregate and the gas burner system, may only be undertaken by authorized customer service points.

## **19. After-sales service**

Warranty arrangements are in accordance with EC Directive 44/19999/CE and the normal conditions applicable in the country concerned.

For warranty or other servicing, such as spare-parts, please contact our Dometic Service Network.

The warranty does not cover any damage due to improper use.

The warranty does not cover any modifications to the appliance or the use of non-original Dometic spare-parts.

The warranty does not apply if the installing and operating instructions are not adhered to.

When contacting Dometic Service Network, please state the model, product number and serial number. You will find this information on the data plate inside of the refrigerator.

Should a problem arise with the unit, please check the following before contacting customer service:

- is the unit suitably placed and is it well ventilated?
- is the unit placed on a flat surface?
- does the socket supply current?
- is the connecting cable damaged in any way?
- is there a loose connection?
- has the plug been properly plugged into the socket?
- has the thermostat been correctly adjusted?
- in the case of gas operation, has the thermostat knob (regulator) been pressed down long enough?
- has the energy selector switch knob been turned to the correct position?
- is the gas cylinder or pressure regulating valve open?
- does the liquid gas cylinder still contain gas? If no liquid movement is evident on shaking the cylinder, then the gas cylinder is empty.
- have warm foodstuffs been stored in the cooler?
- was a too large a quantity of food or drink stored at any one time? Food and drink should be so stored as to allow free air circulation. Do not use paper or plastic plates. Always keep containers for liquids sealed.

When contacting our customer service department, please indicate the unit type, product number, serial number and type of defect.

We accept responsibility for the perfect condition of the unit, the guarantee being in accordance with our guarantee conditions.

## 20. Recycling

After unpacking the appliance, the packing materials should be delivered to a local collection site. At the end of its useful lifetime, the appliance should be delivered to a specialised collection and reprocessing firm, which reclaims the usable materials. The rest is properly destroyed.



Appliances bearing this symbol must be deposited at the designated local reception point for the disposal of electrical and electronic equipment.

It is not permitted that this product be disposed of by way of the normal household refuse collection system.



Dometic refrigerators bear this symbol on the specifications plate (data plate) to be found inside of the refrigerator.

## 21. Technical Data

Gas operation	butane	(propane):
Rated thermal loading:	151 W	(133 W)
Min. thermal loading:	143 W	(85 W)
Connected load, gas:	11 g/h	(9,5 g/h)
Connection pressure:	28-30/37 mbar	
Categorie:	I <sub>3+</sub>	
Climat class:	'N'	

### Electric operation:

220V-240V (mains) 50 Hz:	110W
12V (car battery):	110W
Capacity:	61 Ltr.
Refrigerant:	357g. H <sub>2</sub> O + 168g NH <sub>3</sub>

The refrigeration cycle has been checked for leaks.

## 22. Environmental protection information

The appliance does not contain any CFCs/HCFCs.

Ammonia (natural hydrogen and nitrogen compound) is used as a refrigerating agent in the refrigeration unit.

The ozone-friendly cyclopentane is activated as a motive agent for the PU foam insulation.

Sodium chromate is used for corrosion protection (less than 2 weight % of the coolant).

### **This appliance complies with the following EEC directives:**

LVD-Directive	2006/95/EC
EMC-Directive	2004/108/EC
Gas-Directive	90/396/EEC
CE-Directive	93/68/EEC
RoHS-Directive	2002/95/EC
WEEE-Directive	2002/96/EC.

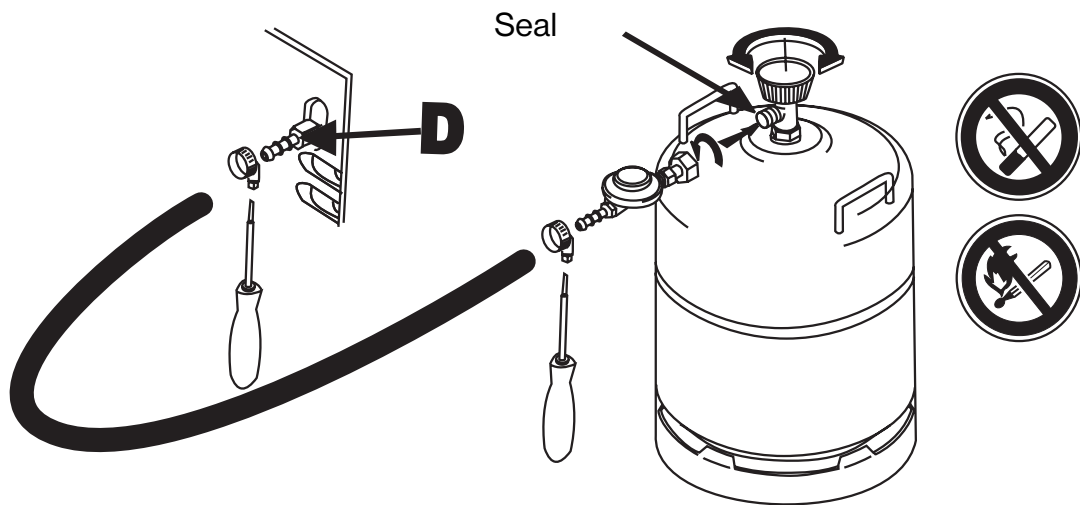


Fig 6

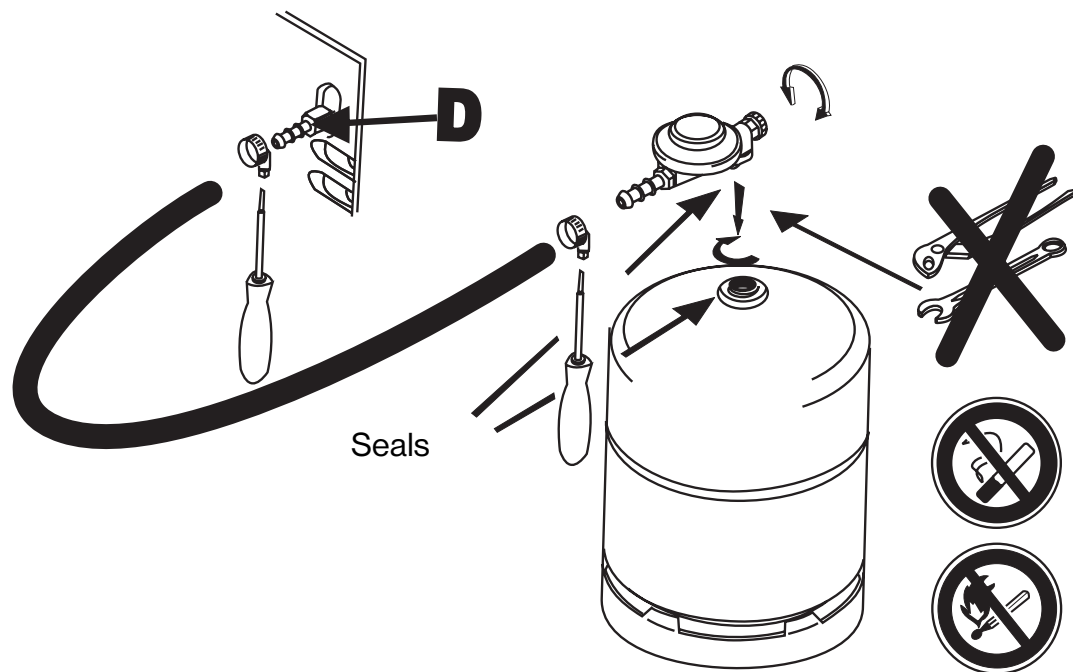


Fig 7



